

Hopup Dimension Kit 03

Dimension Kit 03: HOP-DIM03-4X3FGE-S

Accessory Kit 03: HOP-DIM-03

Hopup™ Backwall Dimensions add style, flare and function to any 7½' or 10' wide Hopup straight display. Easily accessorize your Hopup with monitor mounts, counters, tables, and more messaging real estate. Purchase as a complete kit or as an accessory for your existing straight Hopup. Dimensional elements can be placed in the middle, left or right sides of the display.



Dimension Kit 03:
HOP-DIM03-4X3FGE-S



MARKETPLACE

POWERED BY

HOUSE

Accessory Kit 03:
HOP-DIM-03



features and benefits:

- **Dimension Kit 03 includes:** 10' wide full height straight backwall, accessory counter with monitor mount, fabric printed graphic and literature holder and two Lumina 200 spot lights
- **Accessory Kit 03 includes:** stand-off counter with fabric printed graphic, literature holder and monitor mount
- Lifetime limited hardware warranty against manufacturer defects
- Counter top holds max weight of 35 lbs.

dimensions:

Hardware

Dimension Kit 03 assembled unit:
118.75" w x 91" h x 36.375" d
3016mm(w) x 2311mm(h) x 924mm(d)

Stand-off counter:
34" w x 35" h x 11.25" d
864mm(w) x 889mm(h) x 286mm(d)

Dimension Kit 03 Weight:
68 lbs / 31 kgs

Accessory Kit 03 Weight:
39 lbs / 18 kgs

Carry bag: 2 lbs / 1 kgs

Shipping

Shipping dimensions:
Dimension Kit 03 (two boxes):
36" l x 15" h x 13" d
914mm(l) x 381mm(h) x 330mm(d)

Accessory Kit 03 (one box):
40" l x 18" h x 7" d
1016mm(l) x 457mm(h) x 178mm(d)

Shipping weight:
Dimension Kit 03 (two boxes): 70 lbs / 32 kgs
OCP2 upgrade option: 110 lbs / 50 kgs

Accessory Kit 03 (one box): 41 lbs / 19 kgs
OCP2 upgrade option: 76 lbs / 35 kgs

Graphic

Refer to related graphic template for more information.

Visit:
www.exhibitors-handbook.com/graphic-templates

additional information:

Graphic material:
Dye-sublimation zipper pillowcase fabric

Counter holds max weight of 35 lbs

Monitor mount supports 32"-55" LCD's,
max weight = 80 lbs (monitor not included)

Accessory Kit 03 does not include backwall frame or lights

When included in a larger kit, a different packaging solution will be listed to accommodate all contents of the kit. Individual packaging no longer provided.

Tabletop Colors:



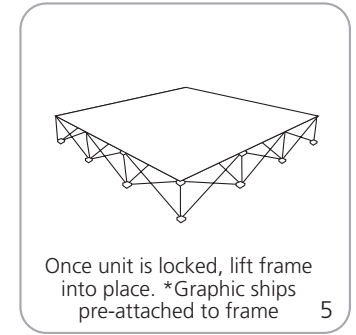
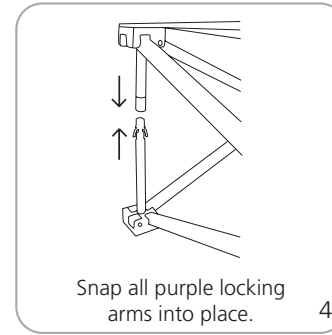
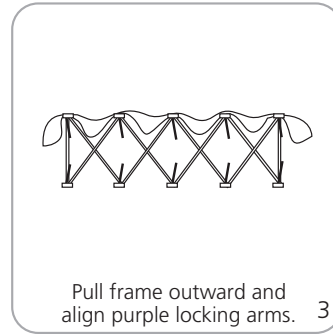
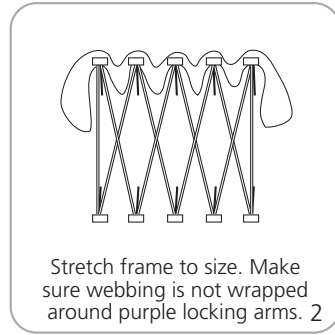
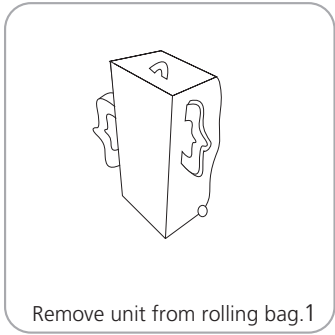
silver black mahogany natural

2 person assembly recommended:

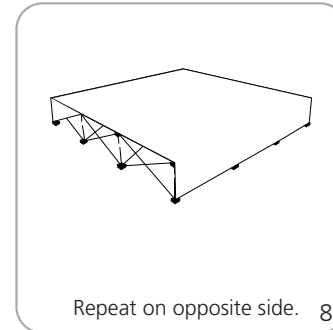
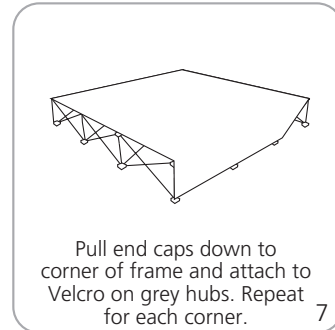


We are continually improving and modifying our product range and reserve the right to vary the specifications without prior notice. All dimensions and weights quoted are approximate and we accept no responsibility for variance. E&OE. See Graphic Templates for graphic bleed specifications.

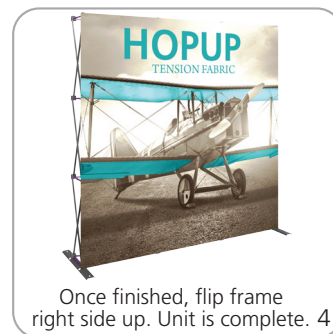
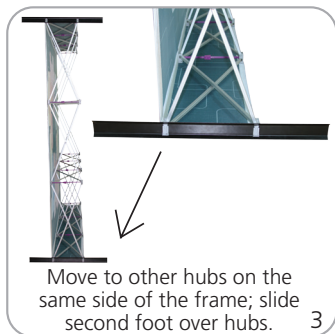
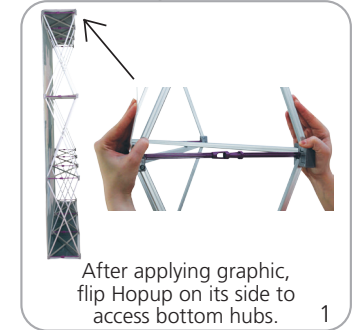
SET-UP: STEP 1
GRAPHIC COMES ATTACHED



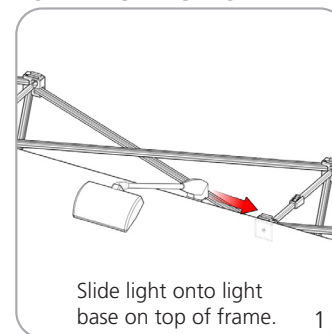
TO ATTACH END CAPS



ATTACH STABILIZER FEET TO FRAMES 3 QUADS HIGH



TO ATTACH LIGHTS



MARKETPLACE
MARKETPLACEDISPLAYS.COM
POWERED BY
HOUSE